

# Product information Mirona Fit-Spo TB LED 13000-840 ETDD

## TOC: 6918651



### Luminaire type

Robust LED highbay luminaire, ball-proof.

### Applications

sports halls, Halls, Warehouses, Manufacturing halls, Trade fair and exhibition halls, Heavy industry. For damp rooms and canopied outdoor areas. Suitable for use in rooms with increased risk of fire.

### Mounting methods

Surface-mounted luminaire for ceiling mounting.

### Optical system

Optical system consists of a PC lens optic. With narrow-wide light distribution. Direct glare limitation in accordance with UGR < 22.

### LED system

LED system consists of 2 LED modules mounted to aluminium support. Luminaire luminous flux 13200 lm, connected load 92 W, luminous efficiency of luminaire 144 lm/W. Light colour neutral white, colour temperature 4000 K, colour rendering index Ra > 80. Service life L85(t<sub>q</sub> 55 °C) = 50,000 h.

### Luminaire body

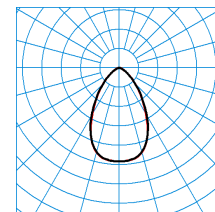
Robust diecast aluminium body with integrated cooling ribs. Colour white. Dimensions (L x W): 320 mm x 342 mm, luminaire height 63 mm. Rear reinforcement of luminaire body for special use in sports locations. Ball-impact-resistance according to DIN 18032-3. Permissible ambient temperature (ta): -30 °C - +55 °C.

### Electrical version

With electronic transformer, digitally dimmable (DALI).

### Specification text

Robust LED highbay luminaire, ball-proof. Suitable for use in rooms with increased risk of fire. Surface-mounted luminaire for ceiling mounting. Optical system consists of a PC lens optic. With narrow-wide light distribution. Direct glare limitation in accordance with UGR < 22. LED system consists of 2 LED modules mounted to aluminium support. Luminaire luminous flux 13200 lm, connected load 92 W, luminous efficiency of luminaire 144 lm/W. Light colour neutral white, colour temperature 4000 K, colour rendering index Ra > 80. Service life L85(t<sub>q</sub> 55 °C) = 50,000 h. Robust diecast aluminium body with integrated cooling ribs. Colour white. Dimensions (L x W): 320 mm x 342 mm, luminaire height 63 mm. Rear reinforcement of luminaire body for special use in sports locations. Ball-impact-resistance according to DIN 18032-3. Permissible ambient temperature (ta): -30 °C - +55 °C. Safety class I, protection rating, impact resistance IK08/5 J, glow wire resistance 850 °C. With electronic transformer, digitally dimmable (DALI).

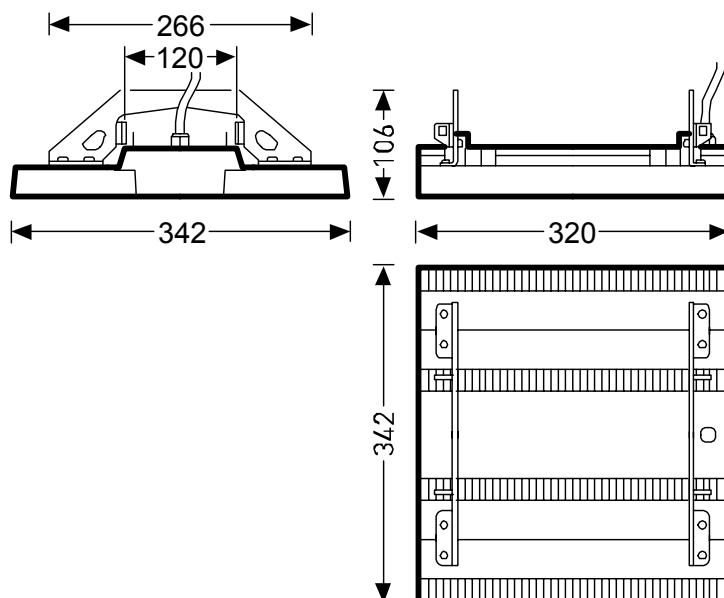


file TX053453  
UGR I = 22.3  
UGR q = 21.8  
LFEC = F0

— c0-c180  
— c90-c270



Colour	white ( ...01)
Weight	4.26 kg
Safety class	I
Hot wire test	850 °C
Impact resistance	5 J
Degree of protection	IP65
LFEC	F0
Cibse	BZ 1
LOR	1,00



### available accessories

TOC: article  
6888000 Mirona Fit AMB/52000