

we-ef

WE-EF LIGHTING
VLR100 SERIES
Linear wallwasher
Australia/NZ Edition
2016



FEATURES VLR100

IP classification: IP68

Electrical protection: Class I

Material: Corrosion resistant aluminium. 5CE superior corrosion protection

Hardware: PCS (Polymer Coated stainless Steel)

Cover: PMMA

Gasket: Silicone gaskets

ECG: Integral or separate LED driver with DALI interface

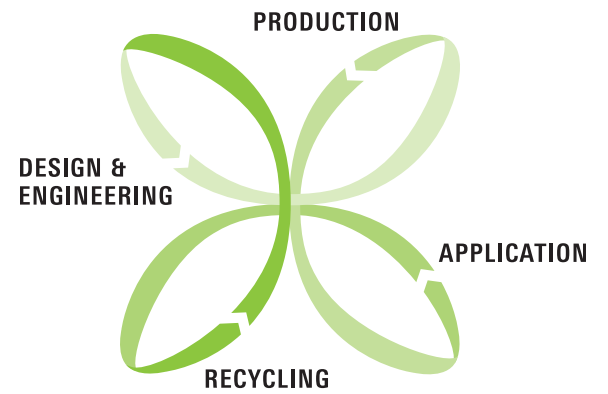
Rated Input Power: 25W/m

LED: Medium wattage LEDs, 3 Step McAdams, CRI ≥ 80

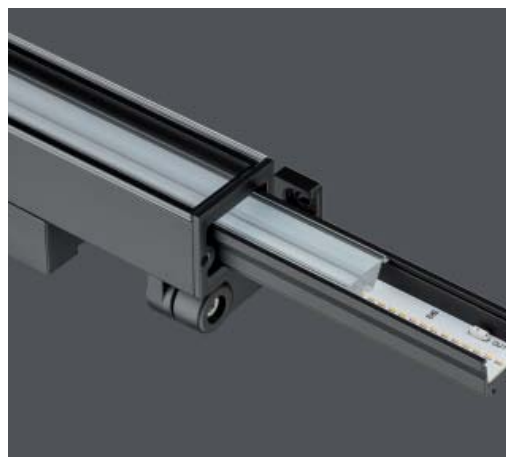
Nominal Luminous Flux: 3,750 lm/m

Rated Luminous Flux: 2,400-2,700 lm/m

Optic: Linear PMMA LED lens [LB] [LM] [LE] [LEE] add [A10] beam distributions. Luminaire can be tilted up to 180°.



Varying standard lengths from 328 to 1528 mm, including on request, individual lengths in increments of 100 mm, offer flexibility for a range of applications.

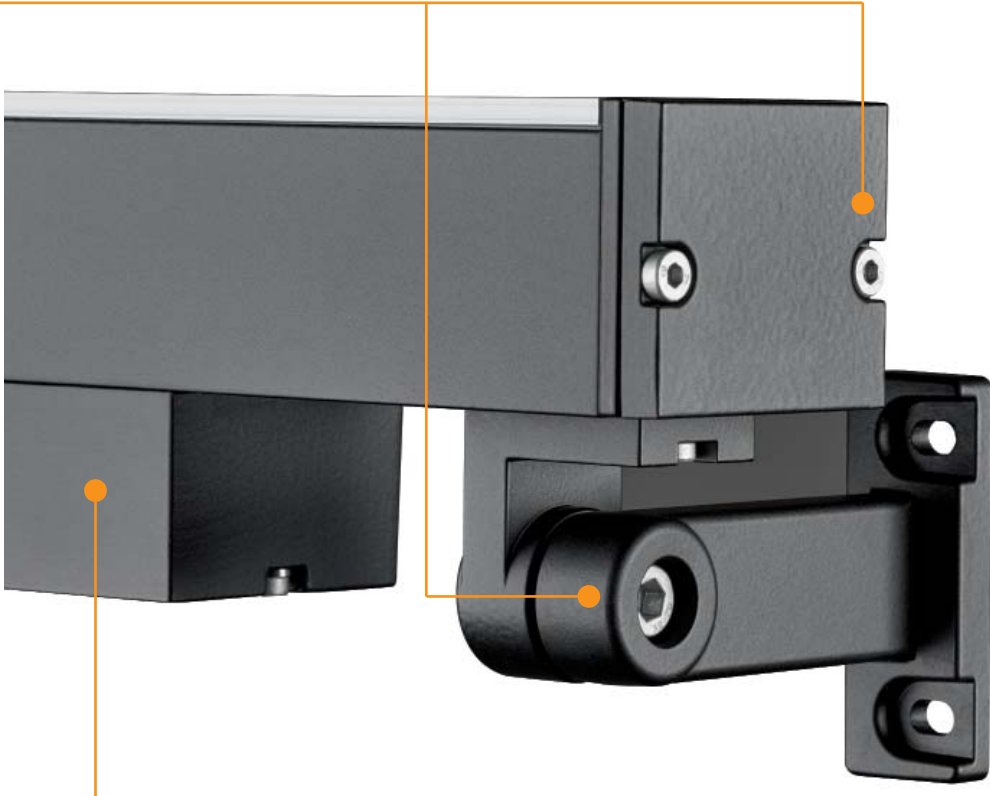


The VLR100 series is designed with modularity in mind. Previously installed luminaires can be easily retrofitted with different LED boards or linear lenses.



Continuous tilting through 180°. The linear wall washer offers maximum freedom when it comes to directing the light exactly to project requirements on-site. This guarantees precise lighting effects and a high degree of visual comfort.

PCS coated fasteners made from austenitic stainless steel reduce the risk of galvanic corrosion.



Outstanding and long lasting anticorrosion properties can only be achieved by a comprehensive, integrated approach. WE-EF's unique 5CE system encompasses five critical elements: Material, Conversion Coating, Powder Coating, PCS Hardware and Process Control.

VLR100 SERIES

[Factory-sealed] Linear wallwasher. IP68. Marine-grade, all-aluminium construction. 5CE superior corrosion protection including PCS hardware. Powdercoat finish in black RAL 9004, grey aluminium RAL 9007 or white RAL 9016. PMMA lens. Silicone rubber gaskets. IP68 cable connector and 1.5 m of flexible PVC-free cable. Luminaire is factory-sealed and does not need to be opened during installation.

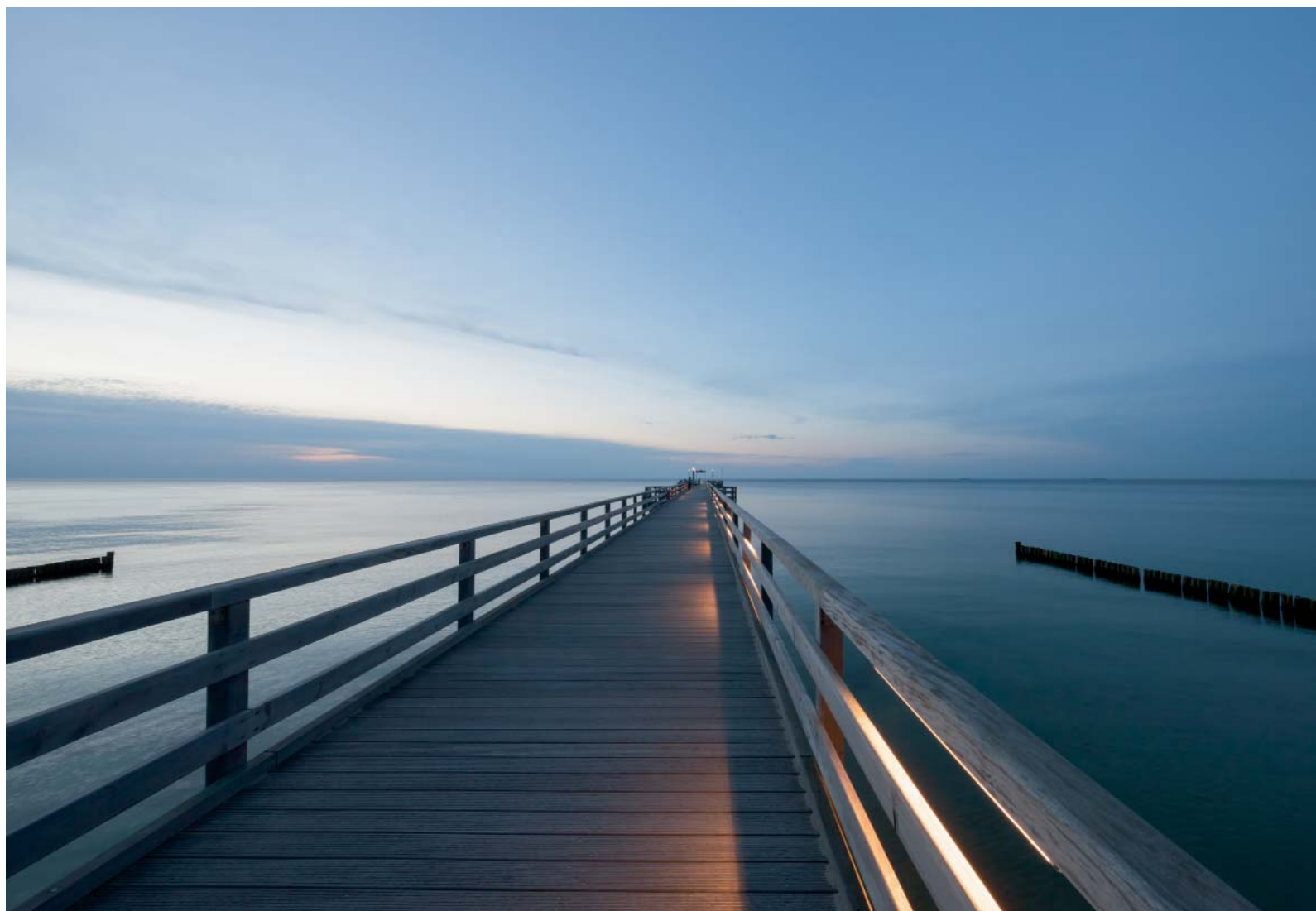
Integral electronic DALI converter in thermally-separated compartment – with the exception of VLR110, remote IP66 DALI converter is included in supply. Advanced thermal management protects LEDs while optimising lumens output. Removable LED boards for upgrading.

Light source:

LED 7.5-37.5 W, 3000 K and 4000 K

Available distributions:

[LB] [LM] [LE] [LEE] [LA10]





IOS® [LB] [LM]

IOS® Innovative Optical System:

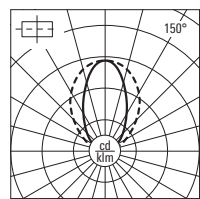
[LB] Symmetric linear distribution, wide beam

[LM] Symmetric linear distribution, medium beam

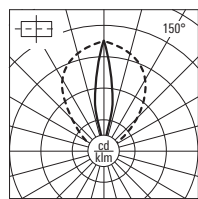


[LB]		3000 K	lm*	4000 K	lm*	C ₀ C ₁₈₀	C ₉₀ C ₂₇₀	cd/klm
VLR110	60 LED 7.5W	187-0023	1125	187-0034	1125	29°/29°	45°/45°	430
VLR120	120 LED 15W	187-0024	2250	187-0038	2250	29°/29°	45°/45°	430
VLR130	180 LED 22.5W	187-0025	3375	187-0042	3375	29°/29°	45°/45°	430
VLR140	240 LED 30W	187-0026	4500	187-0046	4500	29°/29°	45°/45°	430
VLR150	300 LED 37.5W	187-0027	5625	187-0047	5625	29°/29°	45°/45°	430

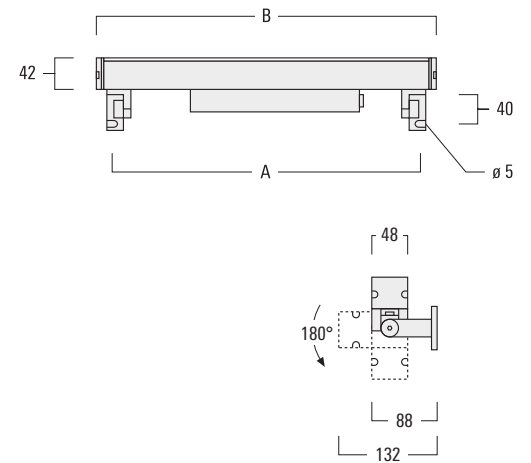
[LM]		3000 K	lm*	4000 K	lm*	C ₀ C ₁₈₀	C ₉₀ C ₂₇₀	cd/klm
VLR110	60 LED 7.5W	187-0001	1125	187-0031	1125	14°/14°	49°/49°	827
VLR120	120 LED 15W	187-0002	2250	187-0035	2250	14°/14°	49°/49°	827
VLR130	180 LED 22.5W	187-0003	3375	187-0039	3375	14°/14°	49°/49°	827
VLR140	240 LED 30W	187-0004	4500	187-0043	4500	14°/14°	49°/49°	827
VLR150	300 LED 37.5W	187-0028	5625	187-0048	5625	14°/14°	49°/49°	827



[LB]



[LM]



Product Dimensions:

VLR series	A	B
VLR110	287	328
VLR120	587	628
VLR130	887	928
VLR140	1187	1228
VLR150	1487	1528

* Nominal lumens output based on LED manufacturer's data at 85°C T_J. For rated lumens at 25°C T_q and latest data refer to www.we-ef.com.



IOS® [LE] [LEE]

IOS® Innovative Optical System:

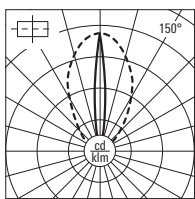
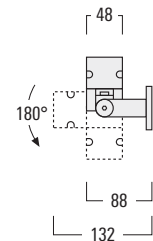
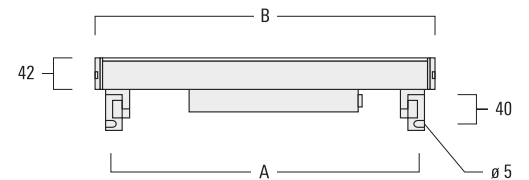
[LE] Symmetric linear distribution, narrow beam

[LEE] Symmetric linear distribution, very narrow beam

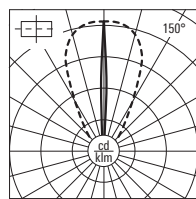


[LE]		3000 K	lm*	4000 K	lm*	C ₀ C ₁₈₀	C ₉₀ C ₂₇₀	cd/klm
VLR110	60 LED 7.5W	187-0005	1125	187-0032	1125	8°/8°	42°/42°	1097
VLR120	120 LED 15W	187-0006	2250	187-0036	2250	8°/8°	42°/42°	1097
VLR130	180 LED 22.5W	187-0007	3375	187-0040	3375	8°/8°	42°/42°	1097
VLR140	240 LED 30W	187-0008	4500	187-0044	4500	8°/8°	42°/42°	1097
VLR150	300 LED 37.5W	187-0029	5625	187-0049	5625	8°/8°	42°/42°	1097

[LEE]		3000 K	lm*	4000 K	lm*	C ₀ C ₁₈₀	C ₉₀ C ₂₇₀	cd/klm
VLR110	60 LED 7.5W	187-0009	1125	187-0033	1125	6°/6°	42°/42°	1594
VLR120	120 LED 15W	187-0010	2250	187-0037	2250	6°/6°	42°/42°	1594
VLR130	180 LED 22.5W	187-0011	3375	187-0041	3375	6°/6°	42°/42°	1594
VLR140	240 LED 30W	187-0012	4500	187-0045	4500	6°/6°	42°/42°	1594
VLR150	300 LED 37.5W	187-0030	5625	187-0050	5625	6°/6°	42°/42°	1594



[LE]



[LEE]

Product Dimensions:

VLR series	A	B
VLR110	287	328
VLR120	587	628
VLR130	887	928
VLR140	1187	1228
VLR150	1487	1528

* Nominal lumens output based on LED manufacturer's data at 85°C T_J. For rated lumens at 25°C T_q and latest data refer to www.we-ef.com.



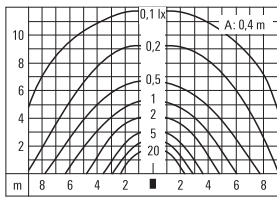
IOS® [LA10]

IOS® Innovative Optical System:

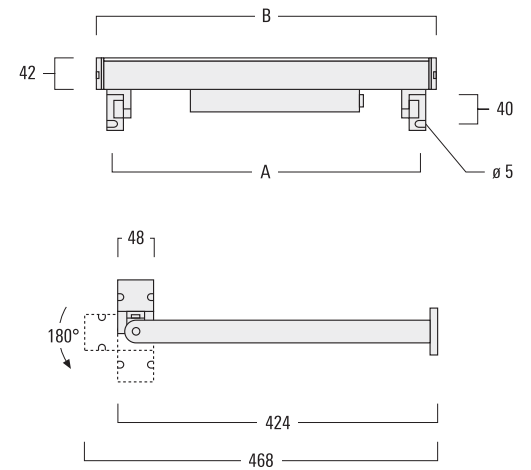
[LA10] Asymmetric linear distribution, wallwash



[LA10]		3000 K	lm*	4000 K	lm*	C ₀ C ₁₈₀	C ₉₀ C ₂₇₀	cd/klm
VLR120	120 LED 15W	187-0014	2250	187-0329	2250	17°/12°	43°/43°	959
VLR130	180 LED 22.5W	187-0015	3375	187-0330	3375	17°/12°	43°/43°	959
VLR140	240 LED 30W	187-0016	4500	187-0331	4500	17°/12°	43°/43°	959



[LA10]



Product Dimensions:

VLR series	A	B
VLR120	587	628
VLR130	887	928
VLR140	1187	1228

* Nominal lumens output based on LED manufacturer's data at 85°C T_J. For rated lumens at 25°C T_Q and latest data refer to www.we-ef.com.

WE-EF LIGHTING Pty Ltd

6/13 Downard Street

Braeside, Victoria 3195

Australia

Tel +61 3 8587 0444

Fax +61 3 8587 0499

www.we-ef.com.au

VLR100 LED SERIES

Wall Luminaires Surface Mounted

Australia / NZ Edition 2016

© WE-EF 2016