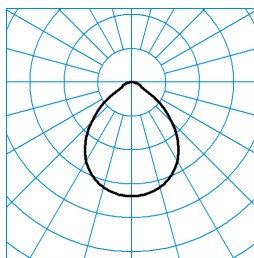


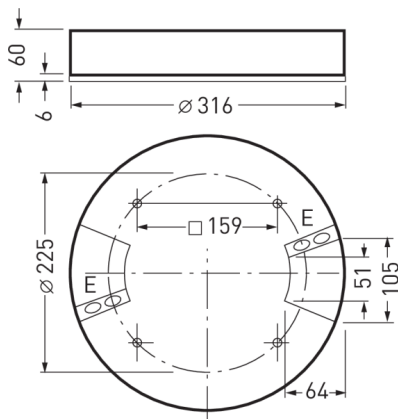
Onplana D09 CDP19 2000-840 ET 26

TOC: 6458640



TX050001
 UGR I = 18.9
 UGR q = 18.9
 DIN 5040: A50
 UTE: 1,00 C

■ CO - C180



Offer text

Round surface-mounted LED downlight, Construction height 60 mm. For wall and ceiling mounting. With primary reflector highly efficient CDP microprismatics. Direct glare limitation in accordance with UGR ≤19. VDU-compliant lighting in compliance with EN 12464-1 via limited luminance L = 3000 cd/m² for beam angles above 65° all round, for computer screens with positive polarity and self-luminance greater than 200 cd/m². With mainly direct light distribution. Decorative ceiling illumination also softens contrast on the ceiling. Harmonious light effect due to homogeneously illuminated light emission. Luminaire luminous flux 1800 lm, connected load 18 W, luminous efficiency of luminaire 100 lm/W. Light colour neutral white, correlated colour temperature (CCT) 4000 K, general colour rendering index (CRI) R_a > 80. Mean service life L80(t_q 25 °C) = 70,000 h, mean service life L85(t_q 25 °C) = 50,000 h. Luminaire body of die-cast aluminium. Luminaire body anthracite black structure-coated.. Luminaire diameter Ø 316 mm, luminaire height 60 mm. Permissible ambient temperature (ta): -20 °C - +25 °C. Safety class (EN 61140): I, protection rating (DIN EN 60529): IP40, impact resistance level in accordance with IEC 62262: IK02/0,2 J, testing temperature of wire glow test in accordance with IEC 60695-2-11: 650 °C. With connection terminal to 2.5 mm, cable strain relief and mains through-wiring. With electronic transformer, switchable. Weight 2,6 kg. The luminaire complies with fundamental requirements of applicable EU regulations and product safety legislation and bears the CE symbol. The luminaire is also ENEC-certified by an independent testing authority.

Product features and key data

Luminaire type	Round surface-mounted LED downlight, Construction height 60 mm.
Mounting method	Surface-mounting
Luminaire optic	With primary reflector highly efficient CDP microprismatics.
Connected load	18 W
Colour temperature	4.000 K
Rated luminous flux	1.800
Light output ratio	1
Luminous efficacy	100 lm/W
Colour rendering index	80
Luminaire colour	DB703 micaceous iron oxide
Luminaire body	Luminaire body of die-cast aluminium.
Electrical version	With electronic transformer, switchable.
Connection method	Terminal
Touch-Dim-capable	No
Emergency light	without emergency light
IFS label	No
Ingress Protection (IP) rating	IP40
Protection rating on room side	IP40
Protection class	I
Impact resistance (IK)	IK02
Hot wire resistance	650 °C
Net height	60 mm
Outside diameter	316 mm
Weight	2,6 kg

Available accessories

Material	Description
6821800	Onplana D09 ZS 3075/2000 01
6821900	Onplana D09 ZS 5075/2000 01
6975700	Onplana D09 ZIP54 01