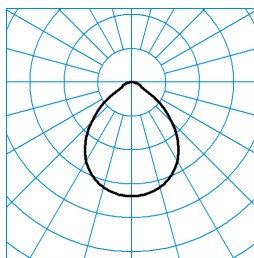
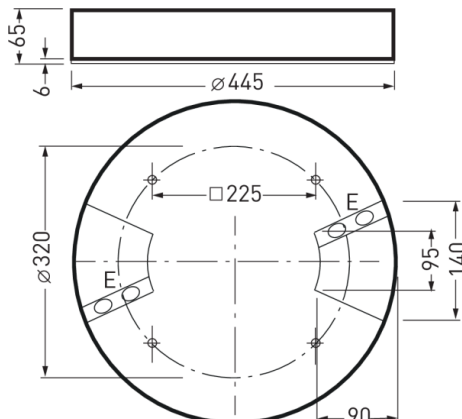


# OnplanaAct D11 CDP19 4000 ETDD 01

TOC: 6982751



**TX059667** CO - C180  
 UGR I = 19.8  
 UGR q = 19.8  
 DIN 5040: A50  
 UTE: 1,00 C



## Offer text

Round surface-mounted LED downlight, Construction height 65 mm. For wall and ceiling mounting. With primary reflector highly efficient CDP microprismatics. Direct glare limitation in accordance with  $UGR \leq 19$ . VDU-compliant lighting in compliance with EN 12464-1 via limited luminance  $L = 3000 \text{ cd/m}^2$  for beam angles above  $65^\circ$  all round, for computer screens with positive polarity and self-luminance greater than  $200 \text{ cd/m}^2$ . With mainly direct light distribution. Decorative ceiling illumination also softens contrast on the ceiling. Harmonious light effect due to homogeneously illuminated light emission. Light colour variable (warm white - daylight white), correlated colour temperature (CCT) variable (2700 K - 6000 K), general colour rendering index (CRI)  $R_a > 80$ . Mean service life  $L80(t_q 25^\circ\text{C}) = 50,000 \text{ h}$ . Luminaire body of die-cast aluminium. White structure-coated luminaire body. Luminaire diameter  $\varnothing 445 \text{ mm}$ , luminaire height 65 mm. Permissible ambient temperature ( $t_a$ ):  $-20^\circ\text{C} - +25^\circ\text{C}$ . Safety class (EN 61140): I, protection rating (DIN EN 60529): IP40, impact resistance level in accordance with IEC 62262: IK02/0,2 J, testing temperature of wire glow test in accordance with IEC 60695-2-11:  $650^\circ\text{C}$ . With connection terminal to 2.5 mm, cable strain relief and mains through-wiring. Weight 4,6 kg. The luminaire complies with fundamental requirements of applicable EU regulations and product safety legislation and bears the CE symbol. The luminaire is also ENEC-certified by an independent testing authority.

## Available accessories

Material	Description
6984400	Onplana D11 ZS 3075/2000 01
6984500	Onplana D11 ZS 5075/2000 01
6987600	Onplana D11 ZIP54 01

## Product features and key data

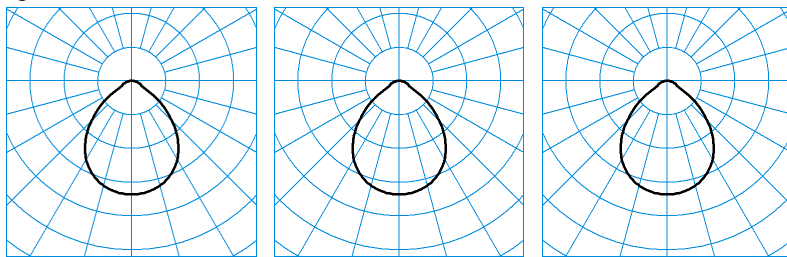
<b>Luminaire type</b>	Round surface-mounted LED downlight, Construction height 65 mm.		
<b>Mounting method</b>	Surface-mounting		
<b>Luminaire optic</b>	With primary reflector highly efficient CDP microprismatics.		
<b>LED-System</b>	HCL channel 1	HCL channel 2	HCL MAX
<b>Connected load</b>	38 W	38 W	77 W
<b>Colour temperature</b>	2.700 K	6.500 K	2.700 - 6.500 K
<b>Rated luminous flux</b>	4.000	4.500	8.500
<b>Light output ratio</b>	1		
<b>Luminous efficacy</b>	101,1 lm/W		
<b>Colour rendering index</b>	80		
<b>Luminaire colour</b>	RAL9016 Traffic white		
<b>Luminaire body</b>	Luminaire body of die-cast aluminium.		
<b>Connection method</b>	Terminal		
<b>Touch-Dim-capable</b>	Yes		
<b>Dimming range</b>	1 - 100 %		
<b>Emergency light</b>	without emergency light		
<b>IFS label</b>	No		
<b>Ingress Protection (IP) rating</b>	IP40		
<b>Protection rating on room side</b>	IP40		
<b>Protection class</b>	I		
<b>Impact resistance (IK)</b>	IK02		
<b>Hot wire resistance</b>	650 °C		
<b>Net height</b>	65 mm		
<b>Outside diameter</b>	445 mm		
<b>Weight</b>	4,6 kg		

# OnplanaAct D11 CDP19 4000 ETDD 01

TOC: 6982751



## light distribution curve



**TX059667**

■ C0 - C180

UGR I = 19.8

UGR q = 19.8

DIN 5040: A50

UTE: 1,00 C

**TX059668**

■ C0 - C180

UGR I = 22.0

UGR q = 22.0

DIN 5040: A50

UTE: 1,00 C

**TX059669**

■ C0 - C180

UGR I = 19.4

UGR q = 19.4

DIN 5040: A50

UTE: 1,00 C