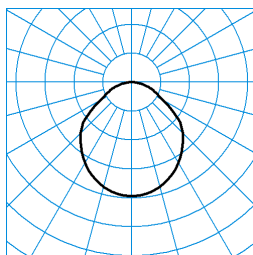


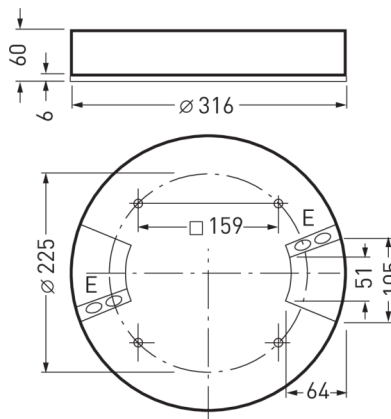
# Onplana D09 OTA25 3000-840 ET 01

TOC: 6458940



**TX050006**  
 UGR I = 23.9  
 UGR q = 23.9  
 DIN 5040: A40  
 UTE: 1,00 D

■ C0 - C180



## Offer text

Round surface-mounted LED downlight, Construction height 60 mm. For wall and ceiling mounting. Cover of translucent PMMA. With mainly direct light distribution. Decorative ceiling illumination also softens contrast on the ceiling. Harmonious light effect due to homogeneously illuminated light emission. Luminaire luminous flux 3100 lm, connected load 28 W, luminous efficiency of luminaire 111 lm/W. Light colour neutral white, correlated colour temperature (CCT) 4000 K, general colour rendering index (CRI)  $R_a > 80$ . Mean service life L80( $t_q$  25 °C) = 70,000 h, mean service life L85( $t_q$  25 °C) = 50,000 h. Luminaire body of die-cast aluminium. White structure-coated luminaire body. Luminaire diameter  $\varnothing 316$  mm, luminaire height 60 mm. Permissible ambient temperature ( $t_a$ ): -20 °C - +25 °C. Safety class (EN 61140): I, protection rating (DIN EN 60529): IP40, impact resistance level in accordance with IEC 62262: IK02/0,2 J, testing temperature of wire glow test in accordance with IEC 60695-2-11: 650 °C. With connection terminal to 2.5 mm, cable strain relief and mains through-wiring. With electronic transformer, switchable. Weight 2,4 kg. The luminaire complies with fundamental requirements of applicable EU regulations and product safety legislation and bears the CE symbol. The luminaire is also ENEC-certified by an independent testing authority.

## Available accessories

Material	Description
6821800	Onplana D09 ZS 3075/2000 01
6821900	Onplana D09 ZS 5075/2000 01
6975700	Onplana D09 ZIP54 01

## Product features and key data

<b>Luminaire type</b>	Round surface-mounted LED downlight, Construction height 60 mm.
<b>Mounting method</b>	Surface-mounting
<b>Luminaire optic</b>	Cover of translucent PMMA.
<b>Connected load</b>	28 W
<b>Colour temperature</b>	4.000 K
<b>Rated luminous flux</b>	3.100
<b>Light output ratio</b>	1
<b>Luminous efficacy</b>	110,7 lm/W
<b>Colour rendering index</b>	80
<b>Luminaire colour</b>	RAL9016 Traffic white
<b>Luminaire body</b>	Luminaire body of die-cast aluminium.
<b>Electrical version</b>	With electronic transformer, switchable.
<b>Connection method</b>	Terminal
<b>Touch-Dim-capable</b>	No
<b>Emergency light</b>	without emergency light
<b>IFS label</b>	No
<b>Ingress Protection (IP) rating</b>	IP40
<b>Protection rating on room side</b>	IP40
<b>Protection class</b>	I
<b>Impact resistance (IK)</b>	IK02
<b>Hot wire resistance</b>	650 °C
<b>Net height</b>	60 mm
<b>Outside diameter</b>	316 mm
<b>Weight</b>	2,4 kg