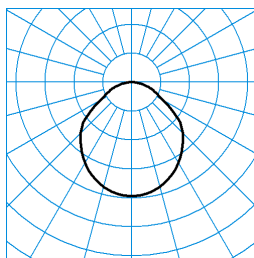


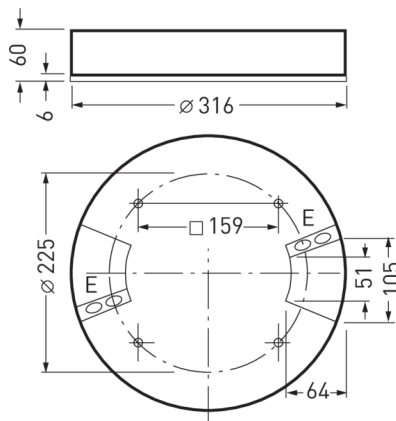
Onplana D09 OTA25 3000-840 ET 26

TOC: 6459040



TX050007
 UGR I = 23.9
 UGR q = 23.9
 DIN 5040: A40
 UTE: 1,00 D

■ C0 - C180



Offer text

Round surface-mounted LED downlight, Construction height 60 mm. For wall and ceiling mounting. Cover of translucent PMMA. With mainly direct light distribution. Decorative ceiling illumination also softens contrast on the ceiling. Harmonious light effect due to homogeneously illuminated light emission. Luminaire luminous flux 3100 lm, connected load 28 W, luminous efficiency of luminaire 111 lm/W. Light colour neutral white, correlated colour temperature (CCT) 4000 K, general colour rendering index (CRI) $R_a > 80$. Mean service life $L80(t_q 25^\circ\text{C}) = 70,000$ h, mean service life $L85(t_q 25^\circ\text{C}) = 50,000$ h. Luminaire body of die-cast aluminium. Luminaire body anthracite black structure-coated.. Luminaire diameter $\varnothing 316$ mm, luminaire height 60 mm. Permissible ambient temperature (ta): $-20^\circ\text{C} - +25^\circ\text{C}$. Safety class (EN 61140): I, protection rating (DIN EN 60529): IP40, impact resistance level in accordance with IEC 62262: IK02/0,2 J, testing temperature of wire glow test in accordance with IEC 60695-2-11: 650°C . With connection terminal to 2.5 mm, cable strain relief and mains through-wiring. With electronic transformer, switchable. Weight 2,4 kg. The luminaire complies with fundamental requirements of applicable EU regulations and product safety legislation and bears the CE symbol. The luminaire is also ENEC-certified by an independent testing authority.

Available accessories

Material	Description
6821800	Onplana D09 ZS 3075/2000 01
6821900	Onplana D09 ZS 5075/2000 01
6975700	Onplana D09 ZIP54 01

Product features and key data

Luminaire type	Round surface-mounted LED downlight, Construction height 60 mm.
Mounting method	Surface-mounting
Luminaire optic	Cover of translucent PMMA.
Connected load	28 W
Colour temperature	4.000 K
Rated luminous flux	3.100
Light output ratio	1
Luminous efficacy	110,7 lm/W
Colour rendering index	80
Luminaire colour	DB703 micaceous iron oxide
Luminaire body	Luminaire body of die-cast aluminium.
Electrical version	With electronic transformer, switchable.
Connection method	Terminal
Touch-Dim-capable	No
Emergency light	without emergency light
IFS label	No
Ingress Protection (IP) rating	IP40
Protection rating on room side	IP40
Protection class	I
Impact resistance (IK)	IK02
Hot wire resistance	650°C
Net height	60 mm
Outside diameter	316 mm
Weight	2,4 kg