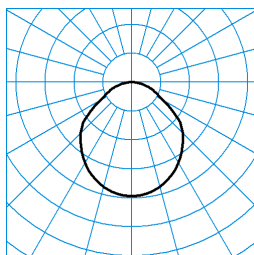
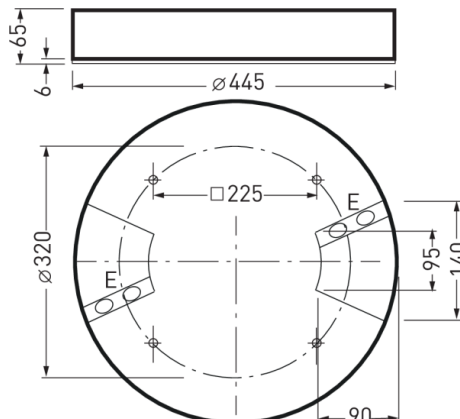


OnplanaAct D11 OTA25 4000 ETDD 26

TOC: 6984051



TX059676 ■ C0 - C180
 UGR I = 22.9
 UGR q = 22.9
 DIN 5040: A40
 UTE: 1,00 D



Offer text

Round surface-mounted LED downlight, Construction height 65 mm. For wall and ceiling mounting. Cover of translucent PMMA. With mainly direct light distribution. Decorative ceiling illumination also softens contrast on the ceiling. Harmonious light effect due to homogeneously illuminated light emission. Light colour variable (warm white - daylight white), correlated colour temperature (CCT) variable (2700 K - 6000 K), general colour rendering index (CRI) $R_a > 80$. Mean service life $L_{80}(t_q 25^\circ\text{C}) = 50,000$ h. Luminaire body of die-cast aluminium. Luminaire body anthracite black structure-coated. Luminaire diameter $\varnothing 445$ mm, luminaire height 65 mm. Permissible ambient temperature (t_a): $-20^\circ\text{C} - +25^\circ\text{C}$. Safety class (EN 61140): I, protection rating (DIN EN 60529): IP40, impact resistance level in accordance with IEC 62262: IK02/0,2 J, testing temperature of wire glow test in accordance with IEC 60695-2-11: 650°C . With connection terminal to 2.5 mm, cable strain relief and mains through-wiring. Weight 4,6 kg. The luminaire complies with fundamental requirements of applicable EU regulations and product safety legislation and bears the CE symbol. The luminaire is also ENEC-certified by an independent testing authority.

Available accessories

Material	Description
6984400	Onplana D11 ZS 3075/2000 01
6984500	Onplana D11 ZS 5075/2000 01
6987600	Onplana D11 ZIP54 01

Product features and key data

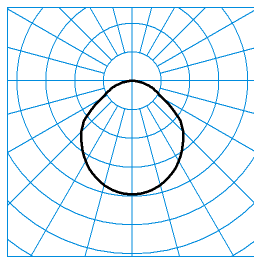
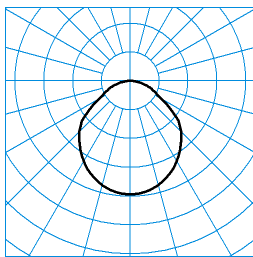
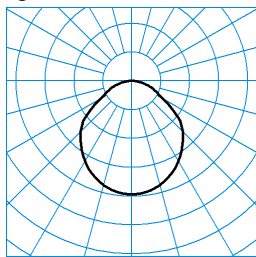
Luminaire type	Round surface-mounted LED downlight, Construction height 65 mm.		
Mounting method	Surface-mounting		
Luminaire optic	Cover of translucent PMMA.		
LED-System	HCL channel 1	HCL channel 2	HCL MAX
Connected load	38 W	38 W	77 W
Colour temperature	2.700 K	6.500 K	2.700 - 6.500 K
Rated luminous flux	4.000	4.500	8.600
Light output ratio	1		
Luminous efficacy	116,9 lm/W		
Colour rendering index	80		
Luminaire colour	DB703 micaceous iron oxide		
Luminaire body	Luminaire body of die-cast aluminium.		
Connection method	Terminal		
Touch-Dim-capable	Yes		
Dimming range	1 - 100 %		
Emergency light	without emergency light		
IFS label	No		
Ingress Protection (IP) rating	IP40		
Protection rating on room side	IP40		
Protection class	I		
Impact resistance (IK)	IK02		
Hot wire resistance	650 °C		
Net height	65 mm		
Outside diameter	445 mm		
Weight	4,6 kg		

OnplanaAct D11 OTA25 4000 ETDD 26

TOC: 6984051



light distribution curve



TX059676

■ C0 - C180

UGR l = 22.9

UGR q = 22.9

DIN 5040: A40

UTE: 1,00 D

TX059677

■ C0 - C180

UGR l = 25.1

UGR q = 25.1

DIN 5040: A40

UTE: 1,00 D

TX059678

■ C0 - C180

UGR l = 22.5

UGR q = 22.5

DIN 5040: A40

UTE: 1,00 D