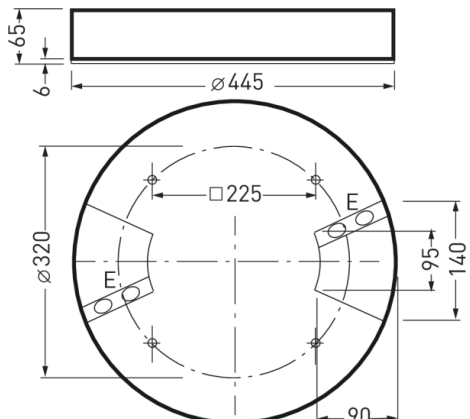


# Onplana D11 OTA25 5000-830 ET 26

TOC: 6983940



**TX055015**  
 UGR I = 23.0  
 UGR q = 23.0  
 DIN 5040: A40  
 UTE: 1,00 D



### Offer text

Round surface-mounted LED downlight, Construction height 65 mm. For wall and ceiling mounting. Cover of translucent PMMA. With mainly direct light distribution. Decorative ceiling illumination also softens contrast on the ceiling. Harmonious light effect due to homogeneously illuminated light emission. Luminaire luminous flux 4700 lm, connected load , luminous efficiency of luminaire 121 lm/W. Light colour warm white, correlated colour temperature (CCT) 3000 K, general colour rendering index (CRI)  $R_a > 80$ . Mean service life L80( $t_q$  25 °C) = 50,000 h. Luminaire body of die-cast aluminium. Luminaire body anthracite black structure-coated.. Luminaire diameter  $\varnothing$  445 mm, luminaire height 65 mm. Permissible ambient temperature ( $t_a$ ): -20 °C - +25 °C. Safety class (EN 61140): I, protection rating (DIN EN 60529): IP40, impact resistance level in accordance with IEC 62262: IK02/0,2 J, testing temperature of wire glow test in accordance with IEC 60695-2-11: 650 °C. With connection terminal to 2.5 mm, cable strain relief and mains through-wiring. Weight 4,6 kg. The luminaire complies with fundamental requirements of applicable EU regulations and product safety legislation and bears the CE symbol. The luminaire is also ENEC-certified by an independent testing authority.

### Available accessories

Material	Description
6984400	Onplana D11 ZS 3075/2000 01
6984500	Onplana D11 ZS 5075/2000 01
6987600	Onplana D11 ZIP54 01

### Product features and key data

<b>Luminaire type</b>	Round surface-mounted LED downlight, Construction height 65 mm.
<b>Mounting method</b>	Surface-mounting
<b>Luminaire optic</b>	Cover of translucent PMMA.
<b>Connected load</b>	39 W
<b>Colour temperature</b>	3.000 K
<b>Rated luminous flux</b>	4.700
<b>Light output ratio</b>	1
<b>Luminous efficacy</b>	120,5 lm/W
<b>Colour rendering index</b>	80
<b>Luminaire colour</b>	DB703 micaceous iron oxide
<b>Luminaire body</b>	Luminaire body of die-cast aluminium.
<b>Connection method</b>	Terminal
<b>Touch-Dim-capable</b>	No
<b>Emergency light</b>	without emergency light
<b>IFS label</b>	No
<b>Ingress Protection (IP) rating</b>	IP40
<b>Protection rating on room side</b>	IP40
<b>Protection class</b>	I
<b>Impact resistance (IK)</b>	IK02
<b>Hot wire resistance</b>	650 °C
<b>Net height</b>	65 mm
<b>Outside diameter</b>	445 mm
<b>Weight</b>	4,6 kg