

we-ef

**WE-EF LEUCHTEN
RMM300 LED SERIES**

Street and Area Lightng Luminaire

Australia/NZ Edition

2016



RMM300 LED FEATURES

IP classification: IP66

Electrical protection: Class I

Impact protection: IK09

Luminaire housing: Marine-grade, die-cast aluminium alloy, 5CE superior corrosion protection

Hardware: PCS hardware (polymer coated stainless steel)

Main lens: RFC® Reflection Free Contour technology

Gasket: Silicone CCG® Controlled Compression Gasket

EC: Integral EC electronic converter

Light source: 24 LEDs, 3000 K or 4000 K, Ra 80

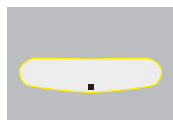
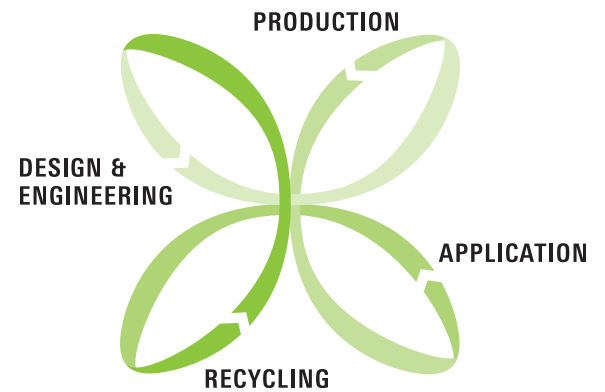
Optics: OLC® One LED Concept technology with [P65] [S65] [S70] [A60] distributions

Heat sink: Integrated

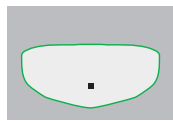
Installation: Pole top fixing dimension \varnothing 76 x 80 mm (optional: \varnothing 60 x 80 mm). Luminaire is factory-sealed and does not need to be opened during installation.

SP10 enhanced surge protection.

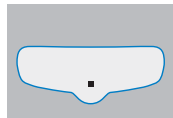
WE-EF Control energy-saving option available on request.



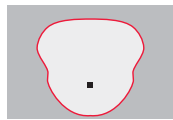
[P65] Pedestrian/bicycle lane distribution, illuminance optimised.



[S65] Streetlighting distribution, luminance optimised.



[S70] Streetlighting distribution, illuminance optimised.



[A60] Asymmetric 'forward throw' distribution. Nominal angle of peak intensity through 60-65° from nadir (downward vertical). Rearward light spillage limited to an angle of 10°.



RFC™ technology delivers high light transmission. The UV-stabilised main lens features a contoured surface that follows the shape of the individual LED lenses, thereby minimising the loss of light that normally occurs due to internal reflections.



LED lighting installations may be operated in a highly economic and environmentally-friendly manner when the LEDs are dimmed on a time- or activity-controlled basis.



OLC® One LED Concept technology presents an ideal, future proof solution for street and area lighting applications. It combines the multi-layer lighting approach with modular PCB/LED/lens engineering and thereby balances the need for safety with visual comfort and energy savings.

RMM300 SERIES

[Factory-sealed] Pole mounted luminaire. IP66. IK09. Marine-grade, die-cast aluminium alloy. 5CE superior corrosion protection including PCS hardware. Powdercoat finish in black RAL 9004, grey aluminium RAL 9007 or white RAL 9016. RFC™ Reflection Free Contour main lens. Silicone CCG® Controlled Compression Gasket. Luminaire is factory-sealed and does not need to be opened during installation.

Integral EC electronic converter. Advanced thermal management protects LEDs while optimising lumens output. Removable LED boards for upgrading. CAD-optimised OLC® One LED Concept optics for superior illumination and glare control.

Maximum spacing for pathway and streetlighting applications depends on wattage and light distribution: 5.5 to 9 times the mounting height.

Light source:

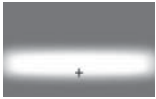
LED 24-104 W, 3000 K and 4000 K

Available distributions:

[P65] [S65] [S70] [A60]

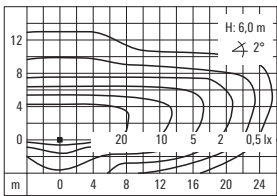
Other distributions available on request.



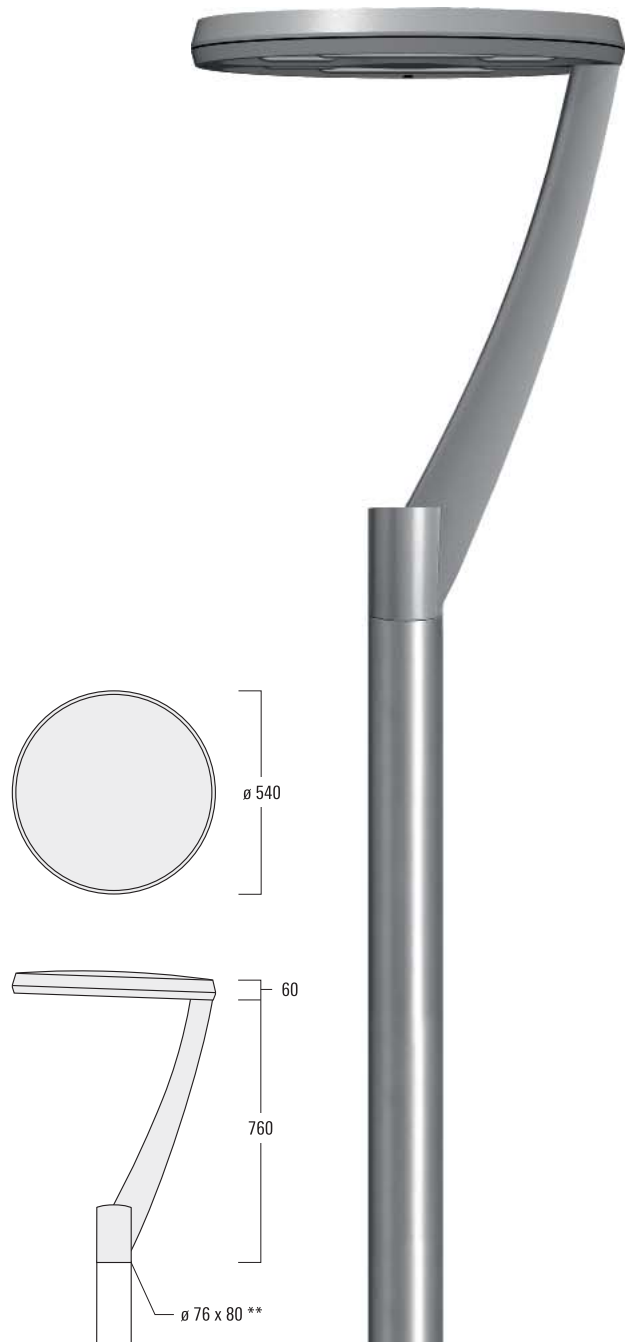


IOS® Innovative Optical System:
[P65] Pedestrian/bicycle lane distribution

[P65]		3000 K	lm	Factor*	4000 K	lm	Factor*	kg
RMM320	24 LED 24W/350 mA	105-9975	3228	0.55	105-9979	3228	0.55	10.0
RMM320	24 LED 48W/700 mA	105-9976	5903	1.00	105-9980	5903	1.00	10.0
RMM320	24 LED 72W/1050 mA	105-9977	9360	1.59	105-9981	10800	1.83	10.0
RMM320	24 LED 104W/1400 mA	105-9978	11971	2.03	105-9982	13813	2.34	10.0

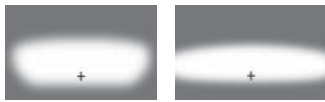


[P65]



* Multiplier for isolux values.

** Optional fixing dimensions $\varnothing 60 \times 80$ mm, on request.



[S65]

[S70]

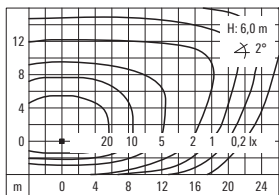
IOS® Innovative Optical System:

[S65] Streetlighting distribution

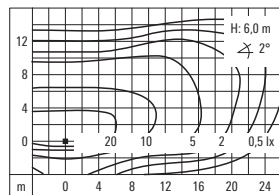
[S70] Streetlighting distribution

[S65]		3000 K	lm	Factor*	4000 K	lm	Factor*	kg
RMM320	24 LED 24W/350 mA	105-9950	3228	0.55	105-9952	3228	0.55	10.0
RMM320	24 LED 48W/700 mA	105-9951	5903	1.00	105-9953	5903	1.00	10.0
RMM320	24 LED 72W/1050 mA	105-9965	9360	1.59	105-9969	10800	1.83	10.0
RMM320	24 LED 104W/1400 mA	105-9966	11971	2.03	105-9970	13813	2.34	10.0

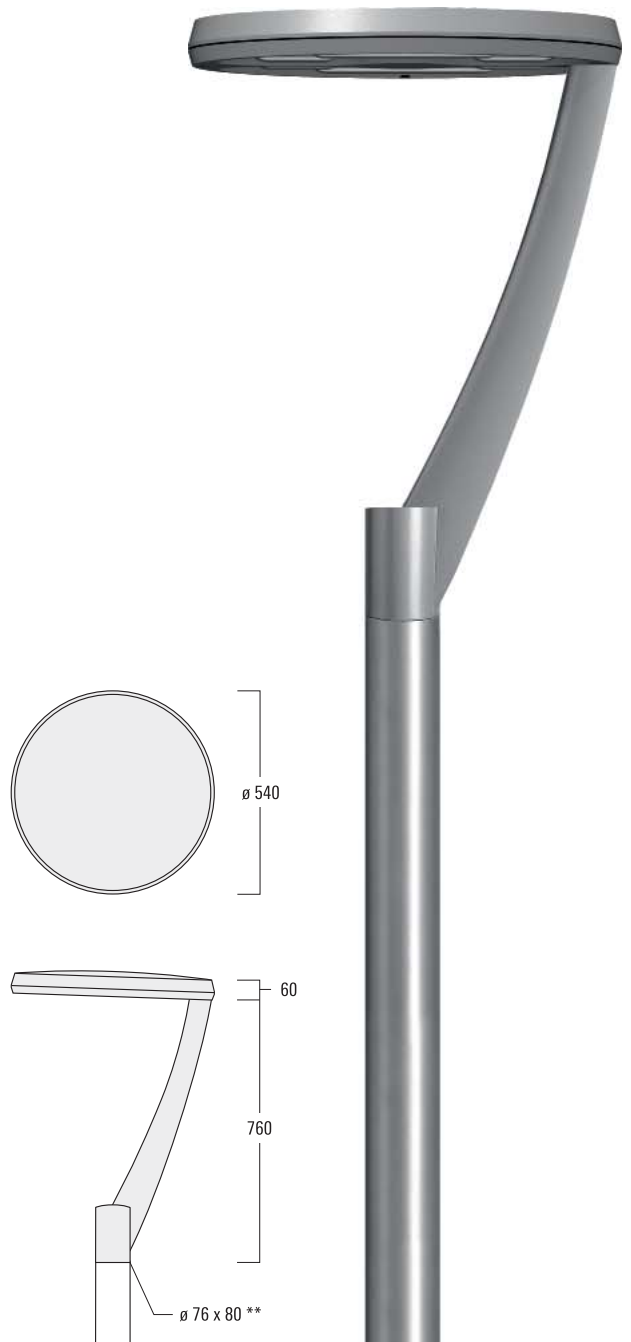
[S70]		3000 K	lm	Factor*	4000 K	lm	Factor*	kg
RMM320	24 LED 24W/350 mA	105-9954	3228	0.55	105-9956	3228	0.55	10.0
RMM320	24 LED 48W/700 mA	105-9955	5903	1.00	105-9957	5903	1.00	10.0
RMM320	24 LED 72W/1050 mA	105-9971	9360	1.59	105-9973	10800	1.83	10.0
RMM320	24 LED 104W/1400 mA	105-9972	11971	2.03	105-9974	13813	2.34	10.0



[S65]



[S70]



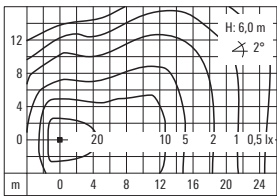
* Multiplier for isolux values.

** Optional fixing dimensions $\varnothing 60 \times 80$ mm, on request.

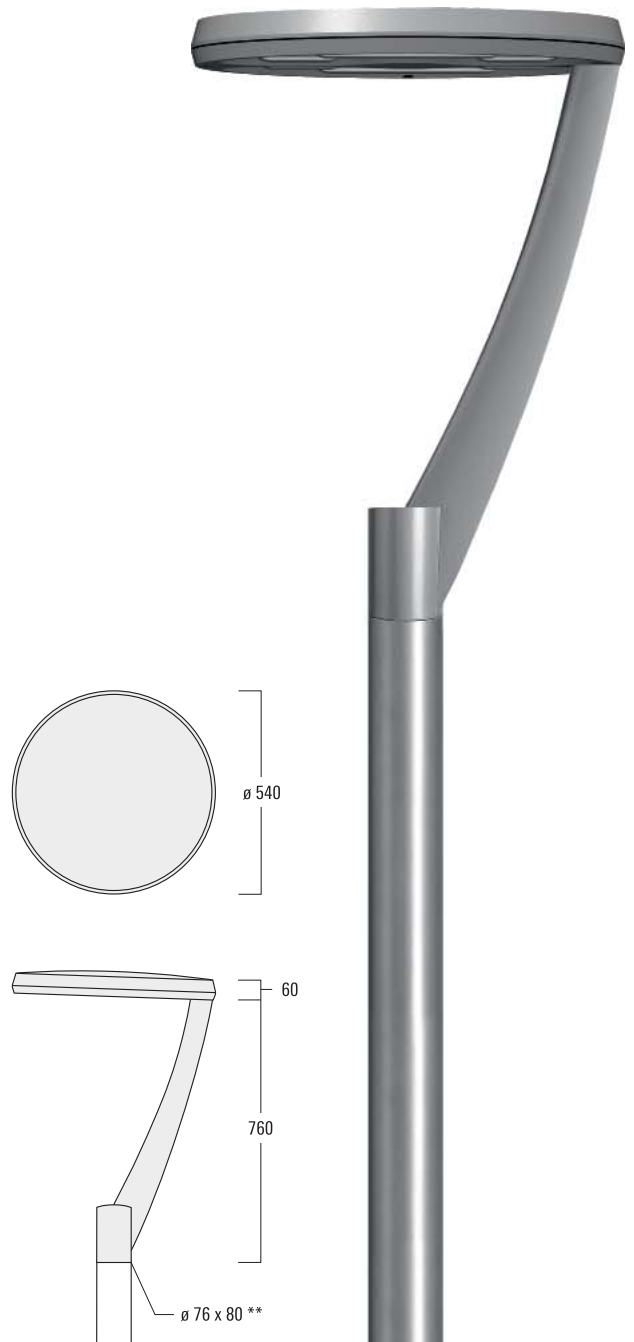


IOS® Innovative Optical System:
[A60] Asymmetric 'forward throw' distribution

[A60]		3000 K	lm	Factor*	4000 K	lm	Factor*	kg
RMM320	24 LED 24W/350 mA	105-9958	3228	0.55	105-9960	3228	0.55	10.0
RMM320	24 LED 48W/700 mA	105-9959	5903	1.00	105-9961	5903	1.00	10.0
RMM320	24 LED 72W/1050 mA	105-9983	9360	1.59	105-9985	10800	1.83	10.0
RMM320	24 LED 104W/1400 mA	105-9984	11971	2.03	105-9986	13813	2.34	10.0



[A60]



* Multiplier for isolux values.

** Optional fixing dimensions $\varnothing 60 \times 80$ mm, on request.

FS

**FACTORY
SEALED**

Luminaire is factory-sealed and does not need to be opened during installation.



Outstanding and long lasting anti-corrosion properties can only be achieved by a comprehensive, integrated approach. WE-EF's unique 5CE system encompasses five critical elements: Substrate; Conversion coating; Powdercoating; PCS hardware; Process control.



PCS



To reduce the risk of galvanic corrosion all exposed hardware is made from austenitic stainless steel, and additionally sealed with a tough impregnated polymer coat – WE-EF's PCS hardware (polymer coated stainless steel).



WE-EF LIGHTING Pty Ltd

6/13 Downard Street

Braeside, Victoria 3195

Australia

Tel +61 3 8587 0444

Fax +61 3 8587 0499

www.we-ef.com.au

RMM300 LED SERIES

Street and Area Lightng Luminaire

Australia/NZ Edition 2016

© WE-EF 2016